



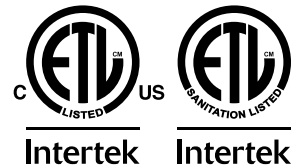
## Refrigerated Showcases

Models FR-CN-0160-R, 0260-R, 0360-R, 0460-R, 0560-R  
Items 46492, 46493, 46494, 46495, 46730

## Instruction Manual



*Revised - 05/16/2023*



Toll Free: 1-800-465-0234  
Fax: 905-607-0234  
Email: [service@omcan.com](mailto:service@omcan.com)  
[www.omcan.com](http://www.omcan.com)



# ***Table of Contents***

Model FR-CN-0160-R / Model FR-CN-0260-R / Model FR-CN-0360-R  
Model FR-CN-0460-R / Model FR-CN-0560-R

---

| <b>Section</b>                 | <b>Page</b> |
|--------------------------------|-------------|
| Disclaimer -----               | 3           |
| General Information -----      | 4 - 5       |
| Safety and Warranty -----      | 5 - 7       |
| Technical Specifications ----- | 7           |
| Operation -----                | 8           |
| Maintenance -----              | 8           |
| Troubleshooting -----          | 8 - 9       |
| Parts Breakdown -----          | 10 - 16     |
| Electrical Schematics -----    | 17          |
| Notes -----                    | 18          |
| Warranty Registration -----    | 19          |

## ***Disclaimer***

---

***OMCAN IS NOT RESPONSIBLE FOR ANY DAMAGES DUE TO WATER LEAKS. WARRANTY FOR WATER LEAKS IS VOID IF THE AMBIENT ROOM TEMPERATURE EXCEEDS 75°F AND 55% RELATIVE HUMIDITY, AND THE APPLIANCE DRAIN IS NOT CONNECTED DIRECTLY TO A FLOOR DRAIN.***

---

***OMCAN N'EST PAS RESPONSABLE DES DOMMAGES DUS AUX FUITES D'EAU. LA GARANTIE POUR LES FUITES D'EAU EST ANNULÉE SI LA TEMPÉRATURE AMBIANTE DE LA PIÈCE DÉPASSE 75°F ET 55% D'HUMIDITÉ RELATIVE, ET SI LE DRAIN DE L'APPAREIL N'EST PAS RACCORDÉ DIRECTEMENT À UN DRAIN DE PLANCHER.***

---

***OMCAN NO SE HACE RESPONSABLE DE LOS DAÑOS CAUSADOS POR FUGAS DE AGUA. LA GARANTÍA POR FUGAS DE AGUA QUEDA ANULADA SI LA TEMPERATURA AMBIENTE SUPERA LOS 75°F Y EL 55% DE HUMEDAD RELATIVA, Y EL DESAGÜE DEL APARATO NO ESTÁ CONECTADO DIRECTAMENTE A UN DESAGÜE DE PISO.***

# **General Information**

---

**Omcan Manufacturing and Distributing Company Inc., Food Machinery of America, Inc. dba Omcan and Omcan Inc. are not responsible for any harm or injury caused due to any person's improper or negligent use of this equipment. The product shall only be operated by someone over the age of 18, of sound mind, and not under the influence of any drugs or alcohol, who has been trained in the correct operation of this machine, and is wearing authorized, proper safety clothing. Any modification to the machine voids any warranty, and may cause harm to individuals using the machine or in the vicinity of the machine while in operation.**

## **CHECK PACKAGE UPON ARRIVAL**

Upon receipt of an Omcan shipment please inspect for external damage. If no damage is evident on the external packaging, open carton to ensure all ordered items are within the box, and there is no concealed damage to the machine. If the package has suffered rough handling, bumps or damage (visible or concealed), please note it on the bill of lading before accepting the delivery and contact Omcan within 24 hours, so we may initiate a claim with the carrier. A detailed report on the extent of the damage caused to the machine must be filled out within three days, from the delivery date shown in the shipping documents. Omcan has no recourse for damaged products that were shipped collect or third party.

**Before operating any equipment, always read and familiarize yourself with all operation and safety instructions.**

**Omcan would like to thank you for purchasing this machine. It's of the utmost importance to save these instructions for future reference. Also save the original box and packaging for shipping the equipment if servicing or returning of the machine is required.**

---

**Omcan Fabrication et distribution Compañie Limité et Food Machinery d'Amérique, dba Omcan et Omcan Inc. ne sont pas responsables de tout dommage ou blessure causé du fait que toute personne ait utilisé cet équipement de façon irrégulière. Le produit ne doit être exploité que par quelqu'un de plus de 18 ans, saine d'esprit, et pas sous l'influence d'une drogue ou d'alcool, qui a été formé pour utiliser cette machine correctement, et est vêtu de vêtements de sécurité approprié. Toute modification de la machine annule toute garantie, et peut causer un préjudice à des personnes utilisant la machine ou des personnes à proximité de la machine pendant son fonctionnement.**

## **VÉRIFIEZ LE COLIS DÈS RÉCEPTION**

Dès réception d'une expédition d'Omcan veuillez inspecter pour dommages externes. Si aucun dommage n'est visible sur l'emballage externe, ouvrez le carton afin de s'assurer que tous les éléments commandés sont dans la boîte, et il n'y a aucun dommage dissimulé à la machine. Si le colis n'a subi aucune mauvaises manipulations, de bosses ou de dommages (visible ou cachée), notez-le sur le bond de livraison avant d'accepter la livraison et contactez Omcan dans les 24 heures qui suivent, pour que nous puissions engager une réclamation auprès du transporteur. Un rapport détaillé sur l'étendue des dommages causés à la machine doit être rempli dans un délai de trois jours, à compter de la date de livraison indiquée dans les documents d'expédition. Omcan n'a aucun droit de recours pour les produits endommagés qui ont été expédiés ou cueilli par un tiers transporteur.



# General Information

---

Avant d'utiliser n'importe quel équipement, toujours lire et vous familiariser avec toutes les opérations et les consignes de sécurité.

Omcan voudrais vous remercier d'avoir choisi cette machine. Il est primordial de conserver ces instructions pour une référence ultérieure. Également conservez la boîte originale et l'emballage pour l'expédition de l'équipement si l'entretien ou le retour de la machine est nécessaire.

---

Omcan Empresa De Fabricacion Y Distribucion Inc. Y Maquinaria De Alimentos De America, Inc. dba Omcan y Omcan Inc. no son responsables de ningun daño o perjuicio causado por cualquier persona inadecuada o el uso descuidado de este equipo. El producto solo podra ser operado por una persona mayor de 18 años, en su sano juicio y no bajo alguna influencia de droga o alcohol, y que este ha sido entrenado en el correcto funcionamiento de esta máquina, y ésta usando ropa apropiada y autorizada. Cualquier modificación a la máquina anula la garantía y puede causar daños a las personas usando la máquina mientras esta en el funcionamiento.

## REVISE EL PAQUETE A SU LLEGADA

Tras la recepcion de un envio Omcan favor inspeccionar daños externos. Si no hay daños evidentes en el empaque exterior, Habra el carton para asegurarse que todos los articulos solicitados estén dentro de la caja y no encuentre daños ocultos en la máquina. Si el paquete ha sufrido un manejo de poco cuidado, golpes o daños (visible o oculto) por favor anote en la factura antes de aceptar la entrega y contacte Omcan dentro de las 24 horas, de modo que podamos iniciar una reclamación con la compañía. Un informe detallado sobre los daños causados a la máquina debe ser llenado en el plazo de tres días, desde la fecha de entrega que se muestra en los documentos de envío. Omcan no tiene ningun recurso por productos dañados que se enviaron a recoger por terceros.

Antes de utilizar cualquier equipo, siempre lea y familiarizarse con todas las instrucciones de funcionamiento y seguridad.

Omcan le gustaría darle las gracias por la compra de esta máquina. Es de la mayor importancia para salvar estas instrucciones para futuras consultas. Además, guarda la caja original y el embalaje para el envío del equipo si servicio técnico o devolución de la máquina que se requiere.

# Safety and Warranty

---

## CAUTION FOR USING

1. Unpack all packages before using the showcase. Don't bend it over more than 60° while moving it.
2. The showcase should be installed in the environment of good ventilation, Cool and dry and without corrosive gas. It should not be installed close to heat sources or directly under the sunlight. The space more than 10cm between the wall of the front and the back of the showcase should be allowed. When installing, the universal wheels should be padded well. So as to make the showcase be level and stable, or

# ***Safety and Warranty***

---

it will cause vibration and too much noise.

3. When initial operation, the refrigerator should run empty for about one hour before storing food in it.
4. Before placing food into the freezer, adjust the temperature control to the lowest point (highest number) and let it run until the temperature of inner cabinet decreases to 0°F. Put the food in, and after 12 hours adjust the temperature control to the normal point.
5. The thermostat could adjust the temperature inside the showcase. When you turn the knob in clockwise. The bigger the figure, the lower the temperature. Generally, the position of '4' is suitable. '0' position stand for stopping operation. 'Max' position will be operating not continually as compressor won't stop (no cycle). Turn the temperature control to the "4" or "5" when temperature inside is stable for ice cream and similar products.
6. Never store flammable, explosive or corrosive products in the freezer, and keep the freezer away from such materials.
7. If power is cut off, wait at least 5 minutes before turning on again to avoid damage to the compressor.
8. To save energy, the door should not be frequently opened for left open for a long time.
9. The surface and the inside of the showcase should be dry and clean. Long term moisture with cause the showcase rust slowly. (There will be some stains on the surface.)
10. Periodical cleaning is suggested for your reference. Generally, 30-45 days once is best. When cleaning, it is best to wipe the inside and the surface of the showcase with the soft cloth with neutral soap or detergent.

**Attention: To ensure safety, the power plug must be pulled out before cleaning. All safety precautions must be followed. Dispose of properly in accordance with Federal or local regulations. Risk of fire or explosion due to puncture of refrigerant tubing. Follow handling instructions carefully.**

**DANGER: Risk of fire or explosion. Flammable refrigerant R290 used. To be repaired only by trained service personnel. Do not use mechanical devices to defrost refrigerator. Do not puncture refrigerant tubing.**

**RESIDENTIAL USERS: Vendor assumes no liability for parts or labor coverage for component failure or other damages resulting from installation in non-commercial or residential applications. The right is reserved to deny shipment for residential usage; if this occurs, you will be notified as soon as possible.**

## **1 YEAR PARTS AND LABOUR WARRANTY**

**Within the warranty period, contact Omcan Inc. at 1-800-465-0234 to schedule an Omcan authorized service technician to repair the equipment locally.**

**Unauthorized maintenance will void the warranty. Warranty covers electrical and part failures, not improper use.**

**Please see <https://omcan.com/disclaimer> for complete info.**

### **WARNING:**

The packaging components are classified as normal solid urban waste and can therefore be disposed of



# Safety and Warranty

without difficulty.

In any case, for suitable recycling, we suggest disposing of the products separately (differentiated waste) according to the current norms.

**DO NOT DISCARD ANY PACKAGING MATERIALS IN THE ENVIRONMENT!**

## Technical Specifications

| Model                      | FR-CN-0160-R                               | FR-CN-0260-R                             | FR-CN-0360-R                              | FR-CN-0460-R                                | FR-CN-0560-R                                |
|----------------------------|--|--|---|---|---|
| Capacity                   | 155.7 L / 5.5 cu.ft.                       | 269 L / 9.5 cu.ft.                       | 371 L / 13.1 cu.ft.                       | 470.1 L / 16.6 cu.ft.                       | 566.3 L / 20 cu.ft.                         |
| Compressor Power           | 1/4+ HP                                    | 1/3+ HP                                  | 2/5+ HP                                   | 1/2+ HP                                     | 2/3+ HP                                     |
| Power                      | 210 W                                      | 265 W                                    | 270 W                                     | 330 W                                       | 295 W                                       |
| Current                    | 3A   | 3.5A                                     | 4A  |   |   |
| Number of Doors            | 2  |  |   |   |   |
| Number of Baskets Included | 2  | 3  | 4   | 5   | 6   |
| Max. Basket Capacity       | 2  | 3  | 4   | 5   | 6   |
| Temperature Range          | -26 to 4°C / -15 to 40°F                   |  |   |   |   |
| Max Ambient Temp Rating    | 24°C / 75°F                                |  |   |   |   |
| Refrigerant                | R290                                       |  |   |   |   |
| Electrical                 | 110-120V / 60Hz / 1                        |  |   |   |   |
| Dimensions                 | 28.1" x 26.2" x 34.4"<br>715 x 665 x 875mm | 28.1" x 39" x 34.4"<br>715 x 990 x 875mm | 28.1" x 50" x 34.4"<br>715 x 1260 x 875mm | 28.1" x 60.2" x 34.4"<br>715 x 1530 x 875mm | 28.1" x 70.9" x 34.4"<br>715 x 1800 x 875mm |
| Weight                     | 101 lbs. / 45.8 kgs.                       | 128 lbs. / 58 kgs.                       | 154 lbs. / 70 kgs.                        | 172 lbs. / 78 kgs.                          | 194 lbs. / 88 kgs.                          |
| Packaging Dimensions       | 30" x 29.1" x 37.4"<br>762 x 740 x 950mm   | 30" x 42" x 37.4"<br>762 x 1067 x 945mm  | 30" x 52.6" x 37.4"<br>762 x 1336 x 950mm | 30" x 63.2" x 37.4"<br>762 x 1605 x 950mm   | 29.9" x 73.8" x 37.4"<br>760 x 1875 x 950mm |
| Packaging Weight           | 115 lbs. / 52.2 kgs.                       | 143 lbs. / 65 kgs.                       | 174 lbs. / 79 kgs.                        | 192 lbs. / 87 kgs.                          | 216.1 lbs. / 98 kgs.                        |
| Item Number                | 46492                                      | 46493                                    | 46494                                     | 46495                                       | 46730                                       |

# Operation

---

## FOOD STORAGE

- Do not fill the freezer full of products. You should leave space between items and the inner surface of the cabinet, so as to keep good ventilation of cold air and freeze evenly. Do not put in any bottled or canned beverage with freezing point above the temperature in the cabinet when it is below zero.
- For foods that should be moisture-free or lose water easily, wrap them up with hermetical food bags or fresh films before putting in the cabinet for the sake of avoiding smell-mixing and reducing frosting.
- Storage of volatile and combustible gases, liquids such as strong alkalies, strong acids, petrol ,etc. is forbidden.
- Never put hot food directly in the freezer. Food should be cold or frozen before placing it inside.
- The cabinet is intended exclusively for the storage and/or display of packaged foods only.

# Maintenance

---

- The freezer should be cleaned regularly. When cleaning, turn off the power, take out the food in the cabinet, clean the inside using water or a little neutral detergent.
- Do not use boiling water, acid, chemical diluents, petrol and oil, or dirt-removing powder.
- Dry it after cleaning.
- Use light soap water when cleaning the door seal, apply a little of talcum powder on it after natural drying to extend its service life.
- Use soft cloth with water or a little detergent to clean the out surface. Note, keeping the power supply and lower part of connect wires away from water to avoid electricity leakage.
- Except common breakdowns, those who are not service technician should not take apart and repair the freezer on their own so as to avoid worsening the trouble. Unauthorized repair of electrical part such as compressor, temperature controller is forbidden.

## DEFROSTING

- Defrost for better freezing efficiency when the frost film in the cabinet is 4-5mm thick.
- When defrosting, turn off the power, take out the frozen foods, open the door for warming and melting. Use a soft cloth to absorb water and clean it up.
- Do not use sharp metal tools such as steel brush to clean the frost film when defrosting so as to avoid evaporator damage.

# Troubleshooting

---

| Problem  | Possible Cause                                | Solution                       |
|--|---|--------------------------------|
| The indicator is not on.<br>The compressor does not start. | The plug isn't fully connected to the socket. | Replug it.                     |
|  | No power.                                     | Connect the socket with power. |



# Troubleshooting

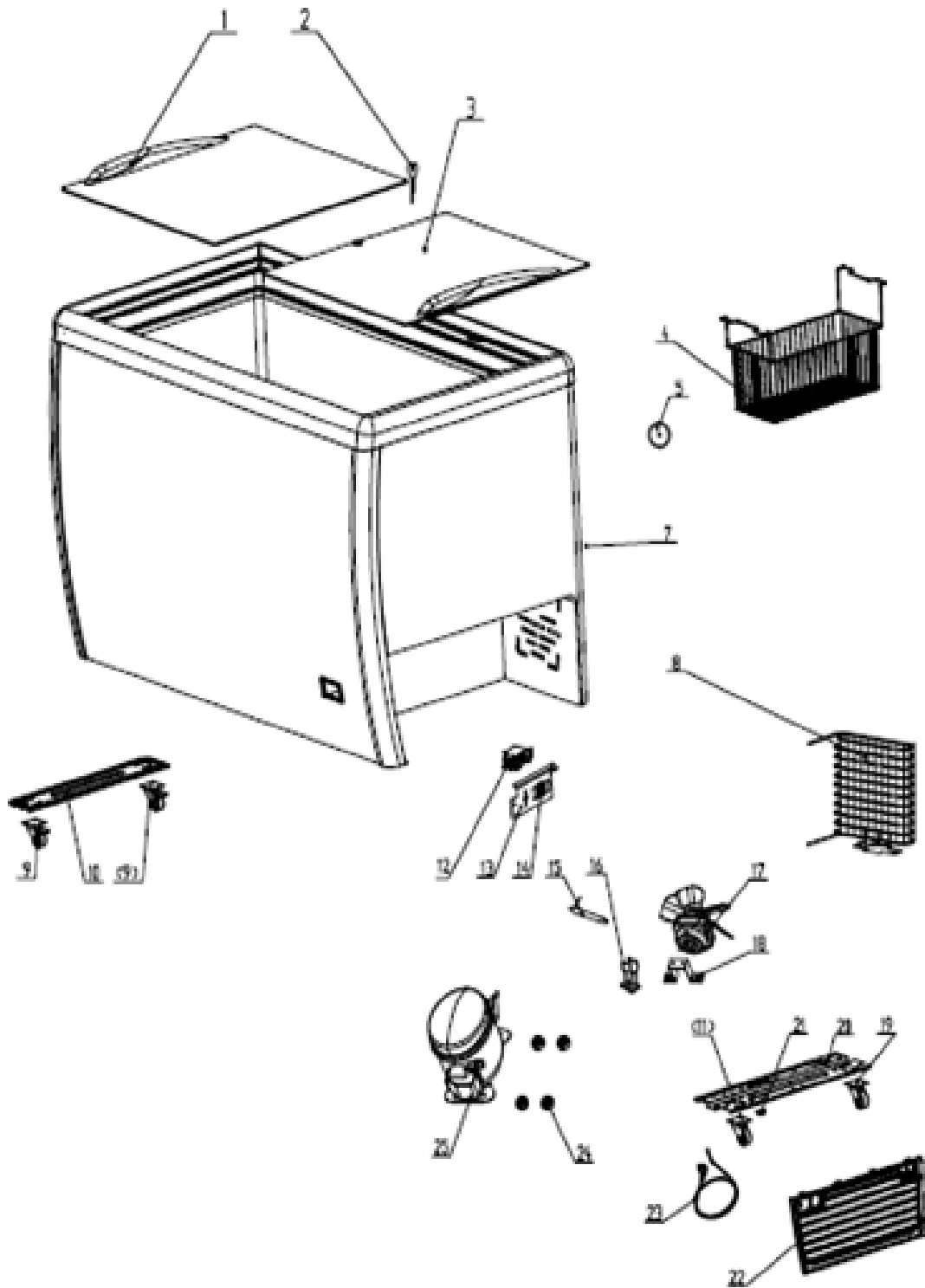
|  |  |  |
|--|--|--|
| The indicator is on, but the compressor doesn't work and buzzes only.                          | The power voltage is <98V.                                 | Put a power-regulator more than 1000W power together.                      |
| The compressor stops a minute after start, and restart after a few minutes, and so repeatedly. | The power voltage is >132V.                                | Put a power-regulator more than 1000W power together.                      |
| The compressor works normally, but the temperature in the cabinet lowers too slowly.           | The door is opened too frequently.                         | Reduce open times.   |
|  | The food in the cabinet is too much, or placed improperly. | Place foods properly, keep space between them for ventilation of cold air. |
|  | The frost film is too thick.                               | Take out foods and defrost.  |
|  | The surface of the condenser is too dirty.                 | Stop and clean the condenser.  |
|  | The door seals badly.                                      | Adjust the door seal.  |
| The noise is too loud.   | The freezer is placed unstably.                            | Place it stably.   |
|  | The fixing of the freezer is loose.                        | Tighten the fixing.  |
|  | There's contact between pipes.                             | Separate them.   |

## THE FOLLOWING ARE NOT FAULTS:

- When the freezer is working or after stopping for a while, the refrigerant in the pipes is cycling and gives out "running water" sounds.
- The surface temperature of the compressor may be up 70~80°C when it is working.
- The back side of step freezer gives out heat.
- In rainy season, the outer surface of the cabinet may have dew, which makes no defects on normal use. Just dry it with a piece of cloth.

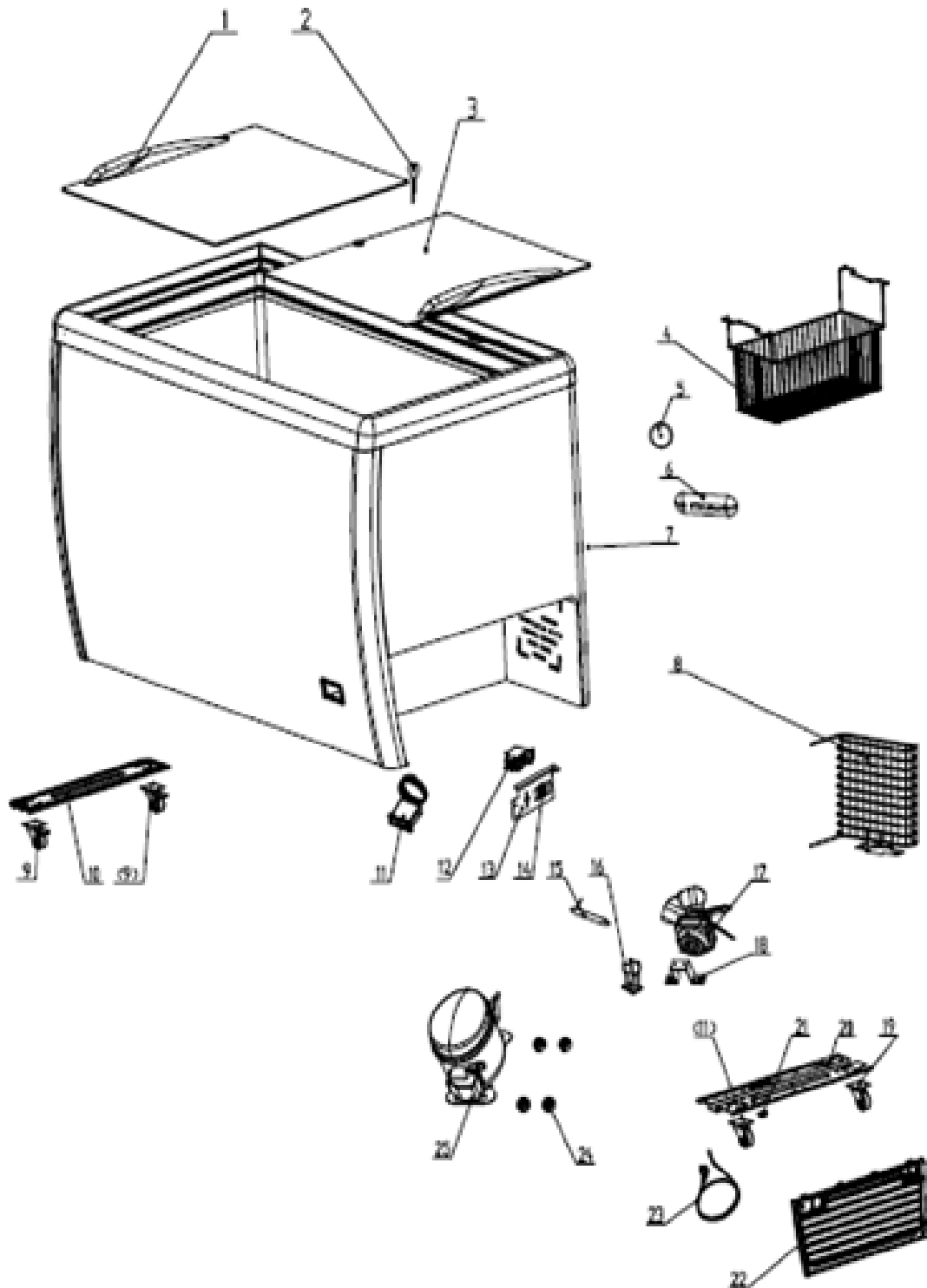
# Parts Breakdown

Model FR-CN-0160-R 46492



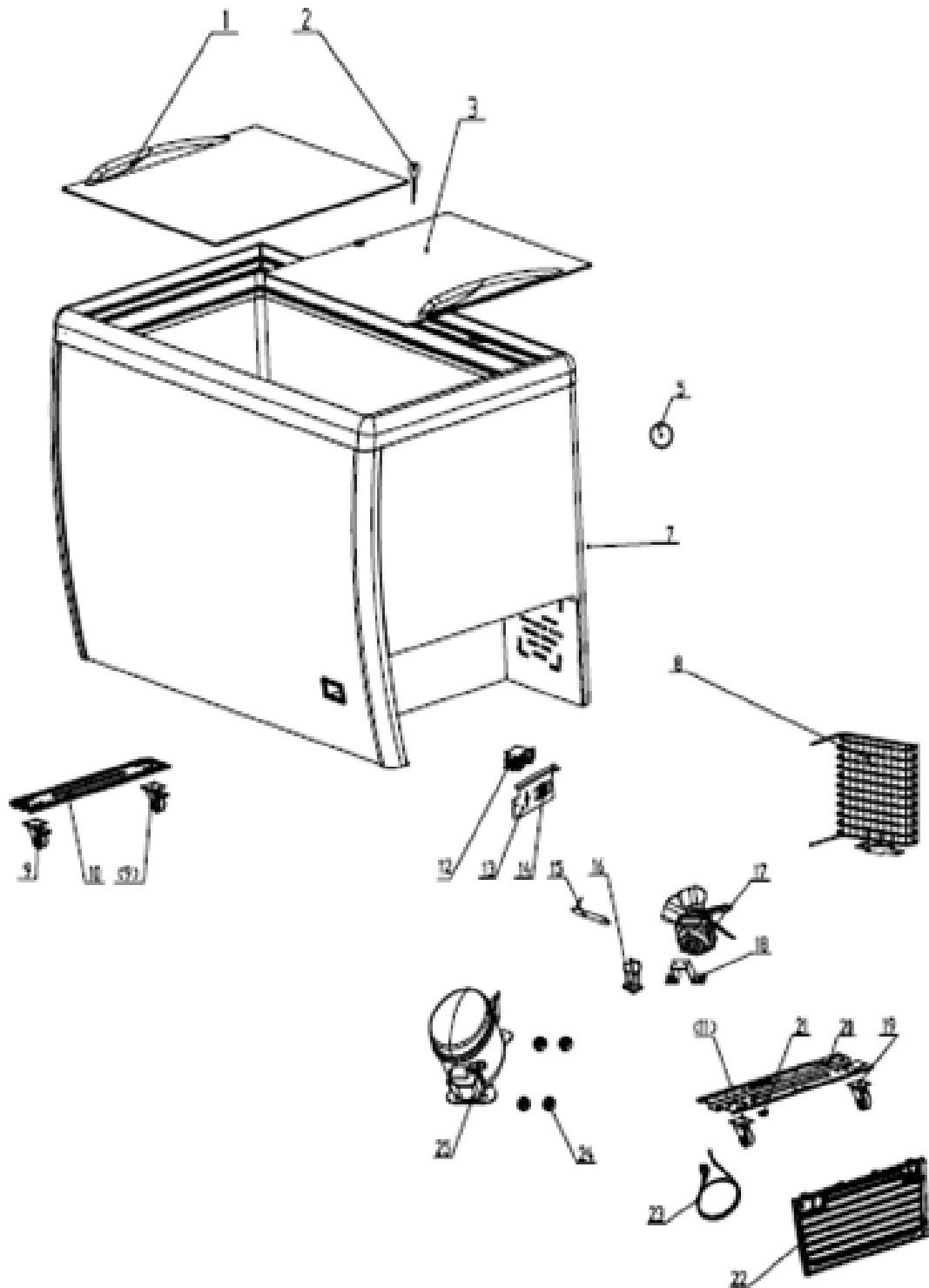
# Parts Breakdown

Model FR-CN-0260-R 46493



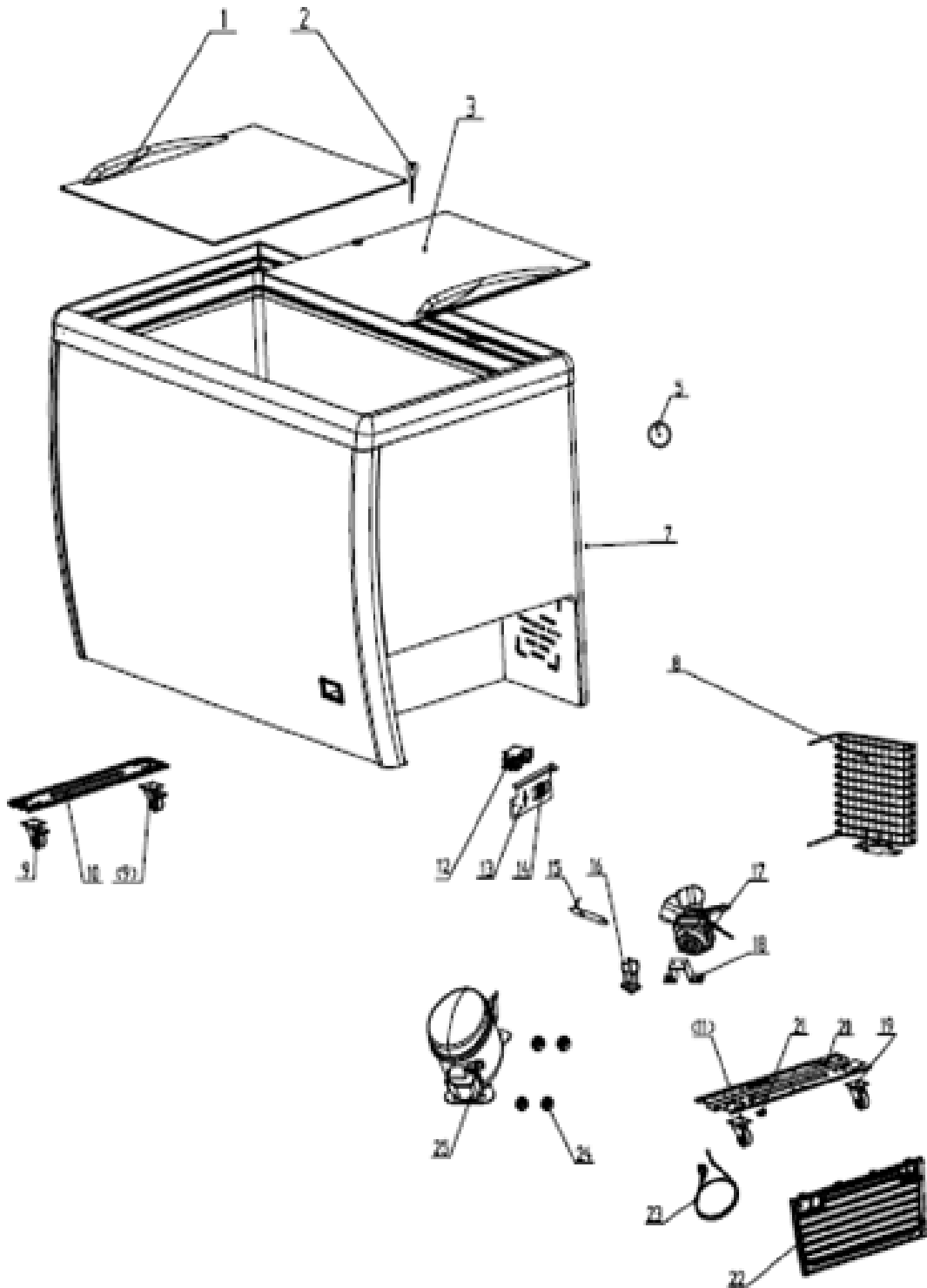
# Parts Breakdown

Model FR-CN-0360-R 46494



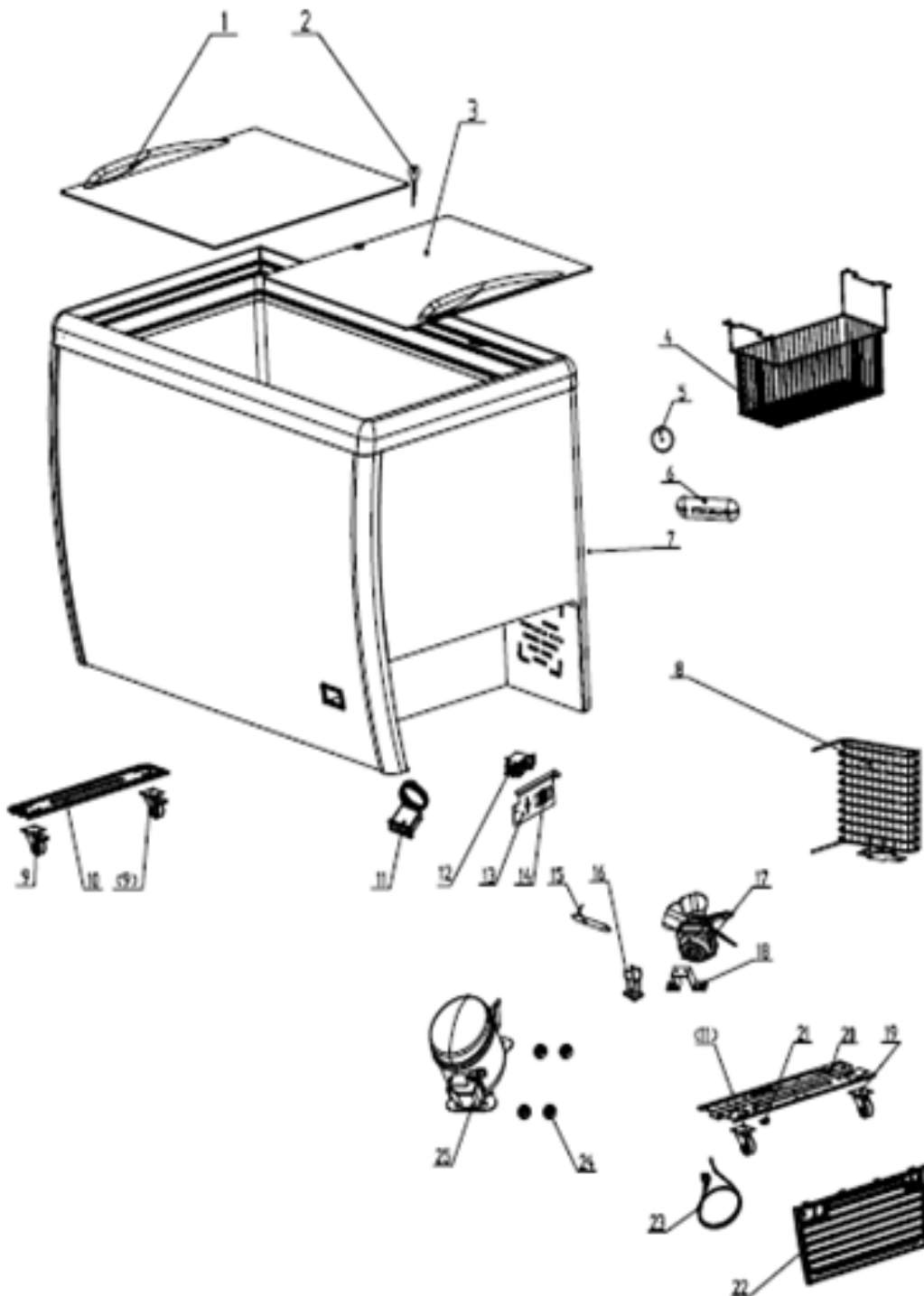
# Parts Breakdown

Model FR-CN-0460-R 46495



# Parts Breakdown

Model FR-CN-0560-R 46730





# Parts Breakdown

## Model FR-CN-0160-R 46492

| Item No. | Description                     | Position | Item No. | Description                           | Position | Item No. | Description                   | Position |
|----------|---------------------------------|----------|----------|---------------------------------------|----------|----------|-------------------------------|----------|
| 69421    | Upper Glass Door for 46492      | 1        | 28445    | Caster with Lock for 46492            | 9        | 64768    | Fan Motor Support for 46492   | 18       |
| 41162    | Key/Lock for 46492              | 2        | 28449    | Thermostat Series (no Knob) for 46492 | 12       | 28446    | Castor without Lock for 46492 | 19       |
| 69422    | Lower Glass Door for 46492      | 3        | 64766    | Thermostat Support for 46492          | 13       | 78720    | Compressor Support for 46492  | 20       |
| 31440    | Basket for 46492                | 4        | 39587    | Indicator Lamp for 46492              | 14       | 28447    | Shutter for 46492             | 22       |
| 64763    | Thermostat Cover for 46492      | 5        | 39586    | Filter for 46492                      | 15       | 28448    | Plug Series for 46492         | 23       |
| 64769    | Cabinet Plastic Frame for 46492 | 7        | 64441    | Filter Support for 46492              | 16       | 63504    | Compressor (R290) for 46492   | 24, 25   |
| 28453    | Condenser for 46492             | 8        | 64767    | Condenser Fan Motor for 46492         | 17       |          |                               |          |

## Model FR-CN-0260-R 46493

| Item No. | Description                     | Position | Item No. | Description                           | Position | Item No. | Description                   | Position |
|----------|---------------------------------|----------|----------|---------------------------------------|----------|----------|-------------------------------|----------|
| AE113    | Upper Glass Door for 46493      | 1        | 28445    | Caster with Lock for 46493            | 9        | 64768    | Fan Motor Support for 46493   | 18       |
| AE114    | Key for 46493                   | 2        | 28449    | Thermostat Series (no Knob) for 46493 | 12       | 28446    | Castor without Lock for 46493 | 19       |
| AE115    | Lower Glass Door for 46493      | 3        | 64766    | Thermostat Support for 46493          | 13       | 78720    | Compressor Support for 46493  | 20       |
| AE116    | Basket for 46493                | 4        | 39587    | Indicator Lamp for 46493              | 14       | 28447    | Shutter for 46493             | 22       |
| 64764    | Thermostat Cover for 46493      | 5        | 39586    | Filter for 46493                      | 15       | 28448    | Plug Series for 46493         | 23       |
| 64770    | Cabinet Plastic Frame for 46493 | 7        | 64441    | Filter Support for 46493              | 16       | 63506    | Compressor (R290) for 46493   | 24, 25   |
| 37874    | Condenser for 46493             | 8        | 64771    | Fan Motor for 46493                   | 17       |          |                               |          |

## Model FR-CN-0360-R 46494

| Item No. | Description                     | Position | Item No. | Description                           | Position | Item No. | Description                   | Position |
|----------|---------------------------------|----------|----------|---------------------------------------|----------|----------|-------------------------------|----------|
| AE117    | Upper Glass Door for 46494      | 1        | 28445    | Caster with Lock for 46494            | 9        | 64768    | Fan Motor Support for 46494   | 18       |
| 41162    | Key/Lock for 46494              | 2        | 28449    | Thermostat Series (no Knob) for 46494 | 12       | 28446    | Castor without Lock for 46494 | 19       |
| AE118    | Lower Glass Door for 46494      | 3        | 64766    | Thermostat Support for 46494          | 13       | 78720    | Compressor Support for 46494  | 20       |
| AE119    | Basket for 46494                | 4        | 39587    | Indicator Lamp for 46494              | 14       | 28447    | Shutter for 46494             | 22       |
| 64763    | Thermostat Cover for 46494      | 5        | 39586    | Filter for 46494                      | 15       | 28448    | Plug Series for 46494         | 23       |
| 64772    | Cabinet Plastic Frame for 46494 | 7        | 64441    | Filter Support for 46494              | 16       | 63503    | Compressor (R290) for 46494   | 24, 25   |
| 37874    | Condenser for 46494             | 8        | 28454    | Cooling Fan Motor for 46494           | 17       |          |                               |          |

# Parts Breakdown

## Model FR-CN-0460-R 46495

| Item No. | Description                | Position | Item No. | Description                   | Position | Item No. | Description                      | Position |
|----------|----------------------------|----------|----------|-------------------------------|----------|----------|----------------------------------|----------|
| AE120    | Upper Glass Door for 46495 | 1        | 69431    | Casters with Brakes for 46495 | 9        | 69438    | Fan Motor Support for 46495      | 18       |
| 69426    | Key for 46495              | 2        | 69432    | Thermostat for 46495          | 12       | 69439    | Casters without Brakes for 46495 | 19       |
| AE121    | Lower Glass Door for 46495 | 3        | 69433    | Thermostat Support for 46495  | 13       | 69440    | Compressor Panel for 46495       | 20       |
| AE122    | Basket for 46495           | 4        | 69434    | Indicator Lamp for 46495      | 14       | 69441    | Side Panel for 46495             | 22       |
| 69428    | Thermostat Cover for 46495 | 5        | 69435    | Filter for 46495              | 15       | 69442    | Power Cord for 46495             | 23       |
| 69429    | Cabinet for 46495          | 7        | 69436    | Filter Support for 46495      | 16       | 69443    | Compressor R290 for 46495        | 24, 25   |
| 69430    | Condenser for 46495        | 8        | 69437    | Fan Motor for 46495           | 17       |          |                                  |          |

## Model FR-CN-0560-R 46730

| Item No. | Description                | Position | Item No. | Description                   | Position | Item No. | Description                      | Position |
|----------|----------------------------|----------|----------|-------------------------------|----------|----------|----------------------------------|----------|
| AE123    | Upper Glass Door for 46730 | 1        | AE127    | Casters with Brakes for 46730 | 9        | 69438    | Fan Motor Support for 46730      | 18       |
| 69426    | Key for 46730              | 2        | 69432    | Thermostat for 46730          | 12       | AE129    | Casters without Brakes for 46730 | 19       |
| AE124    | Lower Glass Door for 46730 | 3        | 69433    | Thermostat Support for 46730  | 13       | 69440    | Compressor Panel for 46730       | 20       |
| AE125    | Basket for 46730           | 4        | 69434    | Indicator Lamp for 46730      | 14       | 69441    | Side Panel for 46730             | 22       |
| 69428    | Thermostat Cover for 46730 | 5        | 69435    | Filter for 46730              | 15       | 69442    | Power Cord for 46730             | 23       |
| AE126    | Cabinet for 46730          | 7        | 69436    | Filter Support for 46730      | 16       | AE130    | Compressor R290 for 46730        | 24, 25   |
| 69430    | Condenser for 46730        | 8        | AE128    | Fan Motor for 46730           | 17       |          |                                  |          |



# Electrical Schematics

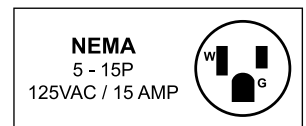
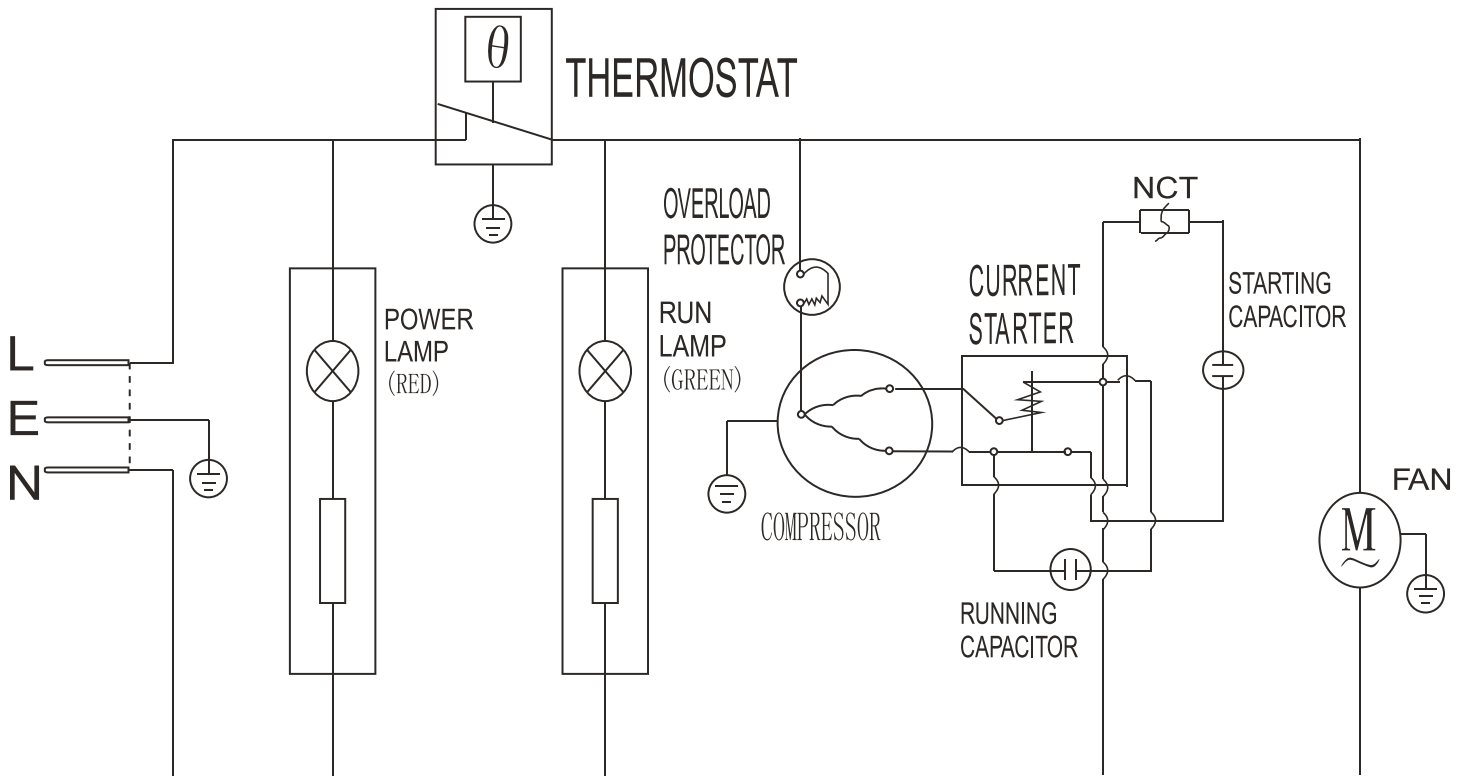
**Model FR-CN-0160-R** 46492

**Model FR-CN-0260-R** 46493

**Model FR-CN-0360-R** 46494

**Model FR-CN-0460-R** 46495

**Model FR-CN-0560-R** 46730







# Warranty Registration

Thank you for purchasing an Omcan product. To register your warranty for this product, complete the information below, tear off the card at the perforation and then send to the address specified below. You can also register online by visiting:

Merci d'avoir acheté un produit Omcan. Pour enregistrer votre garantie pour ce produit, complétez les informations ci-dessous, détachez la carte au niveau de la perforation, puis l'envoyer à l'adresse spécifiée ci-dessous. Vous pouvez également vous inscrire en ligne en visitant:

Gracias por comprar un producto Omcan usted. Para registrar su garantía para este producto, complete la información a continuación, cortar la tarjeta en la perforación y luego enviarlo a la dirección indicada a continuación. También puede registrarse en línea en:

<https://omcan.com/warranty-registration/>

For mailing in Canada

Pour postale au Canada

Por correo en Canadá

**OMCAN**

PRODUCT WARRANTY REGISTRATION

3115 Pepper Mill Court,

Mississauga, Ontario

Canada, L5L 4X5

For mailing in the US

Pour diffusion aux États-Unis

Por correo en los EE.UU.

**OMCAN**

PRODUCT WARRANTY REGISTRATION

4450 Witmer Industrial Estates, Unit 4,

Niagara Falls, New York

USA, 14305

*or email to: [service@omcan.com](mailto:service@omcan.com)*



Purchaser's Information

Name: \_\_\_\_\_

Address: \_\_\_\_\_

City: \_\_\_\_\_ Province or State: \_\_\_\_\_ Postal or Zip: \_\_\_\_\_

Country: \_\_\_\_\_

Dealer from which Purchased: \_\_\_\_\_

Dealer City: \_\_\_\_\_ Dealer Province or State: \_\_\_\_\_

Invoice: \_\_\_\_\_

Model Name: \_\_\_\_\_ Model Number: \_\_\_\_\_

Machine Description: \_\_\_\_\_

Date of Purchase (MM/DD/YYYY): \_\_\_\_\_

Would you like to extend the warranty?  Yes  No

Company Name: \_\_\_\_\_

Telephone: \_\_\_\_\_

Email Address: \_\_\_\_\_

Type of Company:

Restaurant  Bakery  Deli

Butcher  Supermarket  Caterer

Institution (*specify*): \_\_\_\_\_

Other (*specify*): \_\_\_\_\_

Serial Number: \_\_\_\_\_

Date of Installation (MM/DD/YYYY): \_\_\_\_\_

**Thank you for choosing Omcan | Merci d'avoir choisi Omcan | Gracias por elegir Omcan**



Since 1951 Omcan has grown to become a leading distributor of equipment and supplies to the North American food service industry. Our success over these many years can be attributed to our commitment to strengthen and develop new and existing relationships with our valued customers and manufacturers. Today with partners in North America, Europe, Asia and South America, we continually work to improve and grow the company. We strive to offer customers exceptional value through our qualified local sales and service representatives who provide convenient access to over 6,500 globally sourced products.

---

Depuis 1951 Omcan a grandi pour devenir un des “leaders” de la distribution des équipements et matériel pour l’industrie des services alimentaires en Amérique du Nord. Notre succès au cours de ces nombreuses années peut être attribué à notre engagement à renforcer et à développer de nouvelles et existantes relations avec nos clients et les fabricants de valeur. Aujourd’hui avec des partenaires en Amérique du Nord, Europe, Asie et Amérique du Sud, nous travaillons continuellement à améliorer et développer l’entreprise. Nous nous efforçons d’offrir à nos clients une valeur exceptionnelle grâce à nos ventes locales qualifiées et des représentants de service qui offrent un accès facile à plus de 6500 produits provenant du monde entier.

---

Desde 1951 Omcan ha crecido hasta convertirse en un líder en la distribución de equipos y suministros de alimentos en América del Norte industria de servicios. Nuestro éxito en estos años se puede atribuir a nuestro compromiso de fortalecer y desarrollar nuevas relaciones existentes con nuestros valiosos clientes y fabricantes. Hoy con socios de América del Norte, Europa, Asia y América del Sur, que trabajan continuamente para mejorar y crecer la empresa. Nos esforzamos por ofrecer a nuestros clientes valor excepcional a través de nuestro local de ventas y representantes de los servicios que proporcionan un fácil acceso a más de 6,500 productos con origen a nivel mundial.

